

Electrical Notes

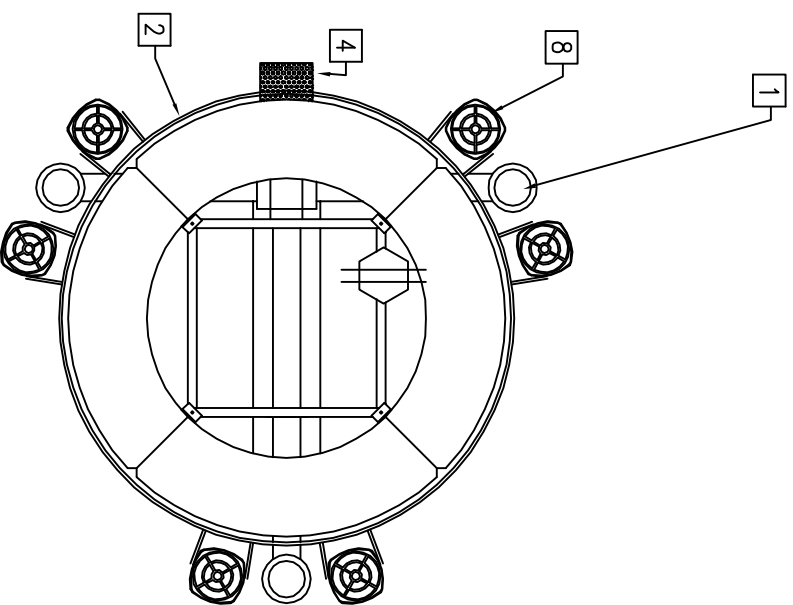
THIS DRAWING IS SUBJECT TO THE PROJECT'S ARCHITECT AND/OR THE PROJECT ENGINEER'S APPROVAL.

INSTALLATION OF ALL ELECTRICAL EQUIPMENT IS TO BE BY BUYER'S ELECTRICIAN. FLOATING UNIT CAN BE INSTALLED BY BUYER OR BY "HALL." IF INSTALLATION CHARGE IS INCLUDED IN FOUNTAIN CONTRACT.

ALL ELECTRICAL WORK MUST BE DONE BY A QUALIFIED ELECTRICIAN IN STRICT ACCORDANCE OF THE NATIONAL ELECTRICAL CODE.

NOTE: LOCAL BUILDING CODES VARY FROM MUNICIPALITY TO MUNICIPALITY AND OVERRIDE NATIONAL CODES. COMPLIANCE WITH LOCAL CODES MUST BE INDEPENDENTLY VERIFIED BY OWNER'S ARCHITECT AND/OR ENGINEER. ANY DEVIATION FROM LOCAL CODES MUST BE BROUGHT TO THE ATTENTION OF HALL FOUNTAINS, INC. IMMEDIATELY.

CONFIRM ALL MOTOR VOLTAGES AND PHASE FOR COMPATIBILITY BEFORE INSTALLATION. RUN ALL FOUNTAIN POWER CABLE RACEWAYS USING PVC ELECTRICAL CONDUIT AND SWEETENS IN THE SIZE INDICATED BELOW. ONE RACEWAY FOR EACH CABLE IS REQUIRED. RACEWAY MUST ENTER LAKE APPROXIMATELY 12 INCHES BELOW NORMAL LOW WATER LEVEL AND EXTEND INTO THE LAKE APPROX. 3 FEET. CABLE LENGTH ON UNIT IS MEASURED FROM CONTROLLER TO THE UNIT. MOUNTING THE CONTROLLER A LONG DISTANCE FROM THE LAKE EDGE WILL LIMIT THE MAXIMUM DISTANCE THE UNIT CAN BE PLACED FROM THE EDGE OF THE LAKE.



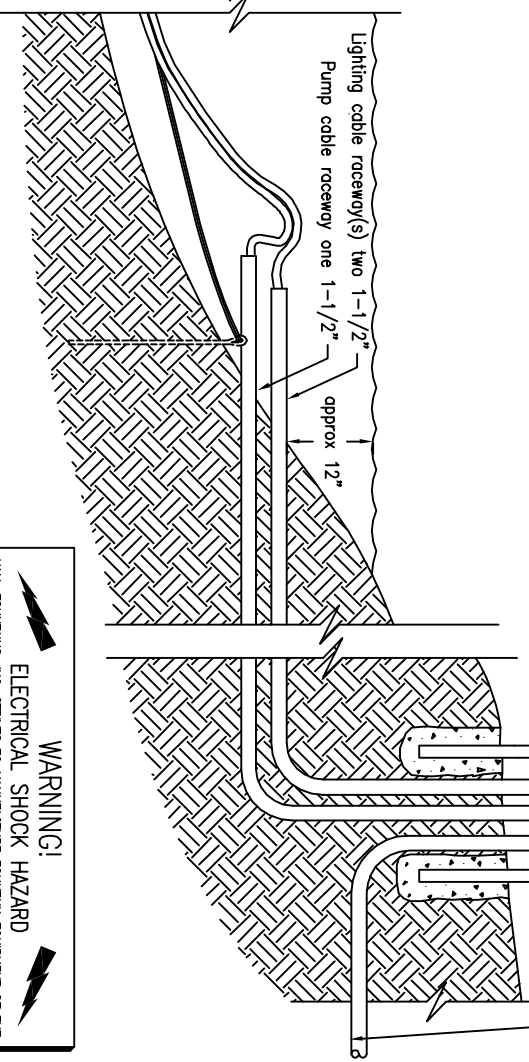
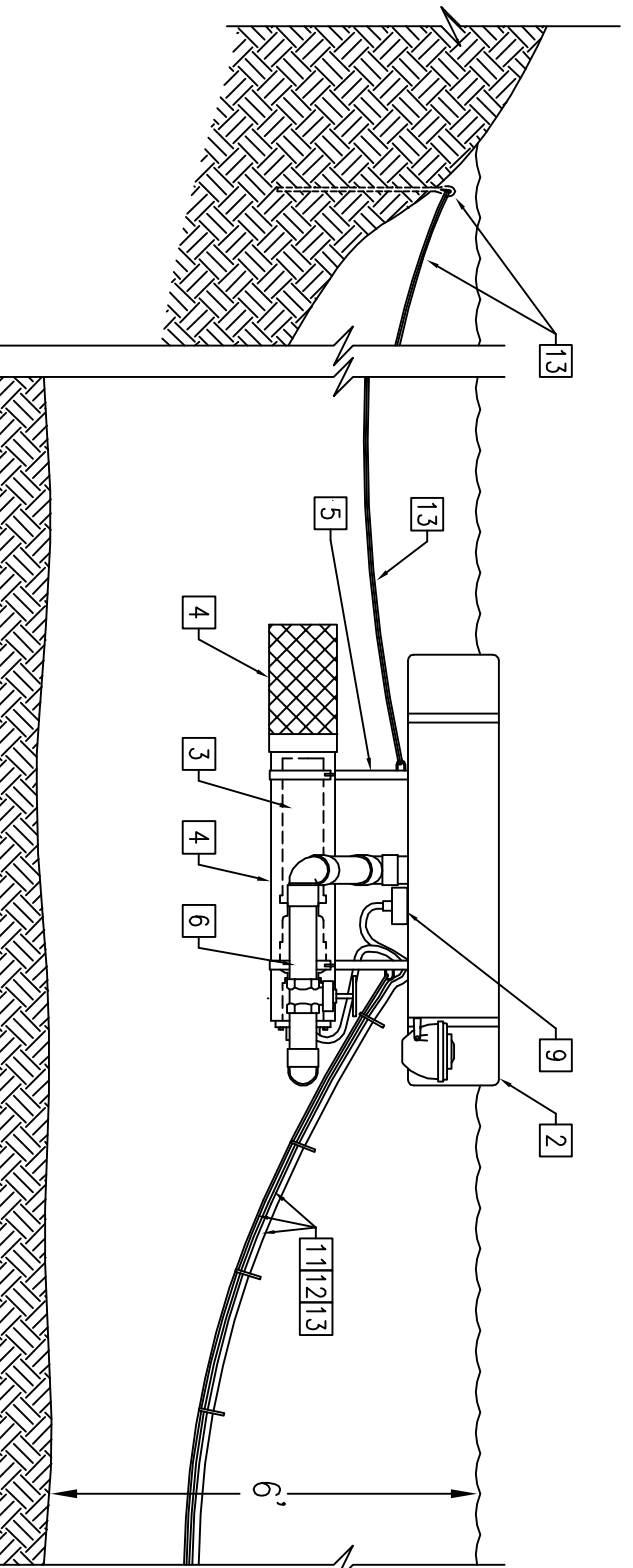
Float Assembly - Plan View

Equipment by Hall

ITEM	QTY	DESCRIPTION
1	3	3" FPT INLET WITH SWIVEL JOINT - features 6" discharge and 3" FPT vertical alignment possible.
2	1	FEB FLOAT ASSEMBLY - includes four rotocast molded polyethylene sections each with threaded brass inserts, stainless steel hardware and bolted fill plugs. Assembly is 15" high, 71" outside dia. and 46" inside dia.
3	1	7.5 H.P. SUBMERSIBLE TURBINE FOUNTAIN PUMP - motor features 208/230 volt (voltage must be specified at time of order) 3 phase 60Hz, 3450 RPM with stainless steel motor enclosure. Pump head features cast iron bowl with closed balanced impeller.
4	1	8" PUMP SUCTION TUBE AND INTAKE SCREEN - tube is fabricated from 8" schedule 40 PVC pipe with stainless steel or bronze support spider. Intake screen is fabricated from perforated 304 stainless steel sheet with 1/4" holes mounted to PVC slip fitting for removal. Tube as heavy PVC discharge adapter flange with power cord entry and hook up for discharge manifold.
5	1	STAINLESS STEEL EQUIPMENT MOUNTING FRAME - to support pump, manifold, and water features. Fabricated from 1-1/2" x 1-1/2" type 304 stainless steel pipe, fittings, and balancing valves to regulate and provide a maximum flow to all water features.
6	1	PUMPING SYSTEM DISCHARGE MANIFOLD - custom fabricated from schedule 40 PVC pipe, fittings, and balancing valves to regulate and provide a maximum flow to all water features.
7	1	FOUNTAIN CONTROLLER - with a main disconnect and door handle, a three phase full-voltage starter, with overload protection, contactors, timers, circuit breakers (standard or GFI), and other controls, pre-wired to a terminal bar through pan-duct wiring trough and mounted on a removable backing plate in a NEMA Type 3R enclosure. Power is supplied from a remote breaker panel (by others).
8	6	UL LISTED CAST BRONZE SUBMERSIBLE LIGHT - thermally protected, 500 watt, 120 volt (500PAR56MF), with 10" type 16/3 cord and clear lens. Features machined gasket surface and lens clearance to assure even gasket compression. Cord entry is encapsulated in epoxy to prevent the entrance of moisture. Features 8-3/8" tempered lens, neoprene gaskets, phosphor bronze cord seal, porcelain socket, and stainless steel fasteners.

ITEM	QTY	DESCRIPTION
9	1	UL LISTED CAST BRONZE UNDERWATER JUNCTION BOX - features neoprene lid gasket, stainless steel fastenings, eight threaded side openings with cord seals and neoprene grommets (for 16/3 type ST cord), defrin plugs (for unused openings), and a FPT bottom for cord seal entrance. Box has lights, cord seal and lighting power cable, installed, tested and potted with portafin as per UL and section 680 of the National Electrical Code.
10	1	CS3 WHITE LIGHT CORD SEAL - 1-1/4" WPT, UL listed seal designed for use with type ST-WA cord used in HALL "JB" series junction boxes listed above.
11	1	200' LENGTH OF 8/4 TYPE ST/50-WA SUBMERSIBLE POWER CABLE - for the fountain lighting power supply. Cable features 600 volt insulation and soft annealed copper. Sized according to the National Electric Code section 70-258.
12	1	200' LENGTH OF 6/4 TYPE ST/50-WA SUBMERSIBLE POWER CABLE for the submersible pump power supply. Cable features 600 volt insulation and soft annealed copper, and is sized according to National Electric Code section 70-258. Cable is spliced to pump motor leads with a 3M Scotchcast splice kit.
13	1	AN6 FOUNTAIN UNIT ANCHOR & STAY ROPE - to secure the fountain unit in the desired location in the lake and provide a convenient means of pulling the unit to the shore for cleaning and servicing. Anchor is made of steel rod with welded eye. Stay rope is 3/8" polypropylene (length to match cables listed above).

Provide 60 Amp 208/230V 3Phase 4 wire service (by others). Conduit and wire size by electrician.



Section through Lake at Fountain & Shoreline



WARNING!
ELECTRICAL SHOCK HAZARD
HALL FOUNTAINS, INC. STRIVES TO MANUFACTURE FOUNTAIN EQUIPMENT OF THE HIGHEST QUALITY POSSIBLE, BUT IS STILL CONCERNED WITH THE FACT THAT WATER AND ELECTRICITY CAN CONSTITUTE A POTENTIAL ELECTRICAL SHOCK HAZARD. FOUNTAIN ELECTRICAL EQUIPMENT MUST BE INSTALLED AND SERVICED BY QUALIFIED, KNOWLEDGEABLE PEOPLE WITH THE UTMOST OF CARE AND IN STRICT ACCORDANCE WITH ARTICLE 680 OF THE NATIONAL ELECTRICAL CODE AND ANY OVERRIDING STATE AND/OR LOCAL CODES THAT MAY APPLY.

FLOATING FOUNTAINS ARE NOT TO BE USED IN LOCATIONS WHERE SWIMMING OR OTHER WATER SPORTS ARE PERMITTED.

5500 N.W. 22nd Avenue
Ft. Lauderdale, Florida 33309
1-800-777-4255 * 954-484-8530
www.hallfountains.com

This drawing is the property of HALL FOUNTAINS, INC. and is to be used only for the installation of equipment purchased from HALL as a unit. This drawing is NOT to be used or reproduced in part or in whole without written permission from HALL.

Equipment to be ordered and any installation to be made from this drawing must be independently verified by the buyer's architect or engineer to determine that the same meets all governmental requirements and is acceptable for its intended application. The only liability assumed by HALL FOUNTAINS, INC. is for the quality of the equipment supplied as set forth in the materials warranty.

Only the items listed under the heading "Equipment by HALL" are to be supplied by HALL FOUNTAINS, INC.

This symbol with a number inside indicates an item that is to be supplied by HALL. Refer to the corresponding item number under the heading "Equipment by HALL."

Model:
KW075-3-6-200

Description:
**7.5HP KEY WEST
with 3000 watts
of lighting**

Date Drawn:
11/19/1999