

Electrical Notes

THIS DRAWING IS SUBJECT TO THE PROJECT'S ARCHITECT AND/OR THE PROJECT ENGINEER'S APPROVAL.

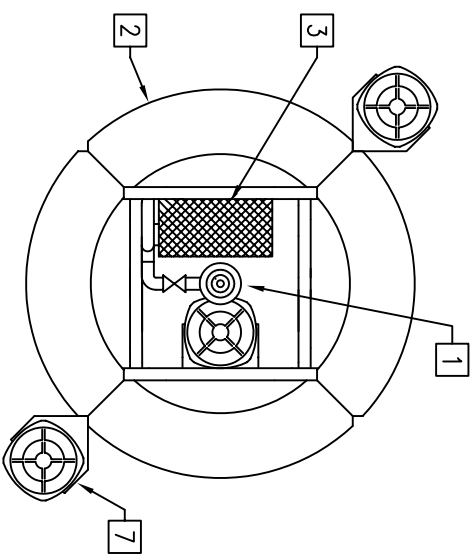
INSTALLATION OF ALL ELECTRICAL EQUIPMENT IS TO BE BY BUYER'S ELECTRICAL. FLOATING UNIT CAN BE INSTALLED BY BUYER OR BY "HALL." IF INSTALLATION CHARGE IS INCLUDED IN FOUNTAIN CONTRACT.

ALL ELECTRICAL WORK MUST BE DONE BY A QUALIFIED ELECTRICIAN IN STRICT ACCORDANCE OF THE "NATIONAL ELECTRICAL CODE."

NOTE: LOCAL BUILDING CODES VARY FROM MUNICIPALITY TO MUNICIPALITY AND OVERRIDE NATIONAL CODES. COMPLIANCE WITH LOCAL CODES MUST BE INDEPENDENTLY VERIFIED BY OWNER'S ARCHITECT AND/OR ENGINEER. ANY DEVIATION FROM LOCAL CODES MUST BE BROUGHT TO THE ATTENTION OF HALL FOUNTAINS, INC. IMMEDIATELY.

CONFIRM ALL MOTOR VOLTAGES AND PHASE FOR COMPATIBILITY BEFORE INSTALLATION.

RUN ALL FOUNTAIN POWER CABLE RACEWAYS USING PVC ELECTRICAL CONDUIT AND SWEEPS IN THE SIZE INDICATED BELOW. ONE RACEWAY FOR EACH CABLE IS REQUIRED. RACEWAY MUST ENTER LAKE APPROXIMATELY 12 INCHES BELOW NORMAL LOW WATER LEVEL AND EXTEND INTO THE LAKE APPROX. 3 FEET. CABLE LENGTH ON UNIT IS MEASURED FROM CONTROLLER TO THE UNIT. MOUNTING THE CONTROLLER A LONG DISTANCE FROM THE LAKE'S EDGE WILL LIMIT THE MAXIMUM DISTANCE THE UNIT CAN BE PLACED FROM THE EDGE OF THE LAKE.

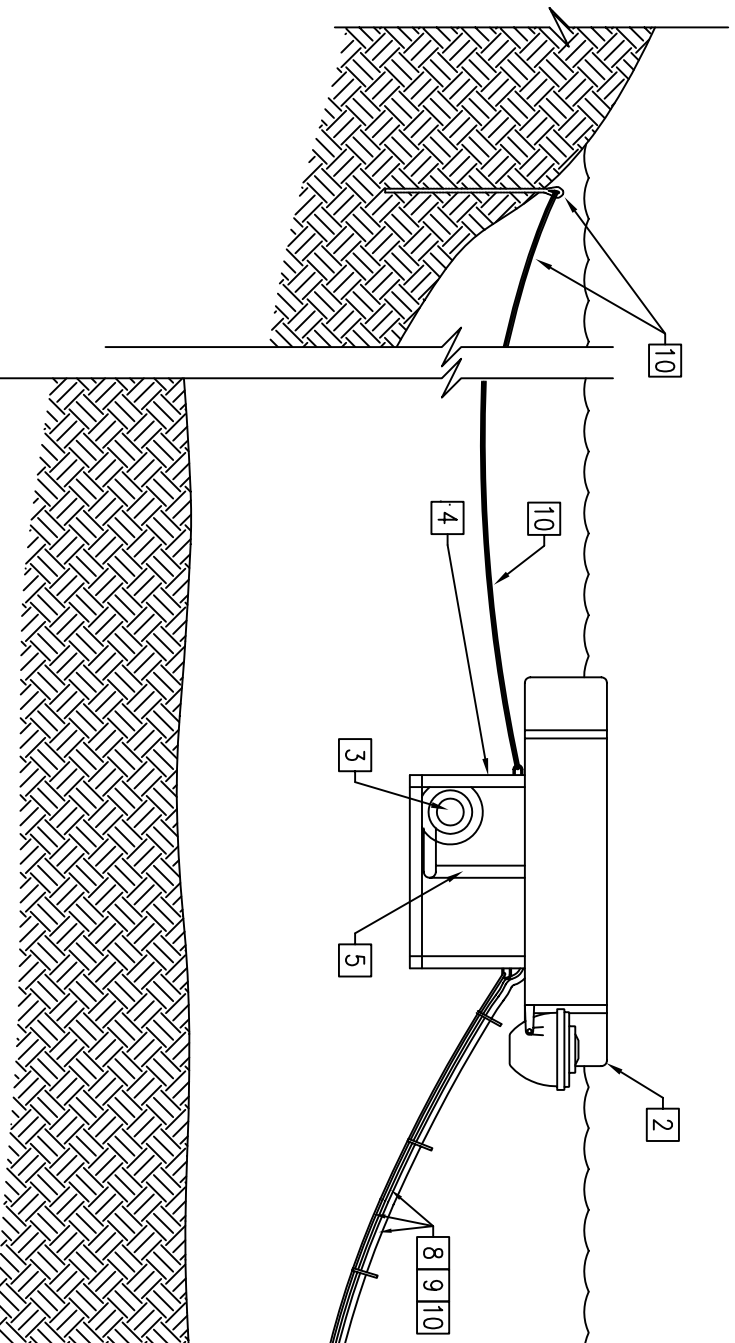
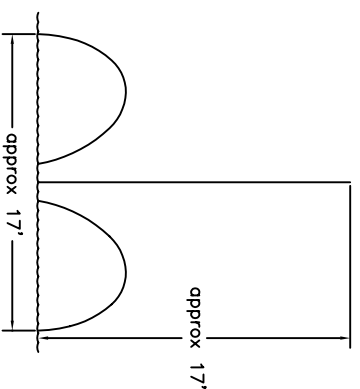


Equipment by Hall

ITEM	QTY	DESCRIPTION
1	1	J23 MACHINED BRASS & PLEXIGLAS THREE TIERED CASTLE JET - features 1-1/4" FPI inlet, one center jet, 12 secondary jets and 24 outer jets.
2	1	FT4 FLOAT ASSEMBLY - includes four roto-cast molded polyethylene sections each with threaded brass inserts, stainless steel hardware and ballast fill plugs. Assembly is 10" high, 48" outside dia. and 32" inside dia.
3	1	SRU71 3/4 HP CAST BRONZE SUBMERSIBLE PUMP - features integral thermal overload protection, removable perforated stainless steel suction screen and 10" of 16/3 type ST power cord. Motor is UL listed and is rated for 115 volt single phase power. Supplied with hose and stainless steel hose clamps for discharge hookup.
4	1	STAINLESS STEEL EQUIPMENT MOUNTING FRAME - to support pump, manifold, and water features. Fabricated from 1-1/2" x 1-1/2" type 304 stainless steel angle with stainless steel fasteners for securing to float assembly.
5	1	PIUMPING SYSTEM DISCHARGE MANIFOLD - custom fabricated from schedule 40 PVC pipe, fittings, and balancing valves to regulate and provide a maximum flow to all water features.
6	1	FOUNTAIN CONTROLLER - on all-weather (Nemo 3R) 100 amp service enclosure with 2 independent time clocks, on 8 space breaker panel, on equipment grounding bar, and standard or GFI breakers as needed.
7	3	SL5000GT UL LISTED CAST BRONZE SUBMERSIBLE LIGHT - thermally protected, 500 watt, 120 volt (500PAR56MFL), with 10" type 16/3 cord and clear lens. Features machined gasket surface and lens clearance to assure even gasket compression. Cord entry is encapsulated in epoxy to prevent the entrance of moisture. Features 8-5/8" tempered lens, neoprene gaskets, phosphor bronze cord seal, porcelain socket, and stainless steel fasteners.

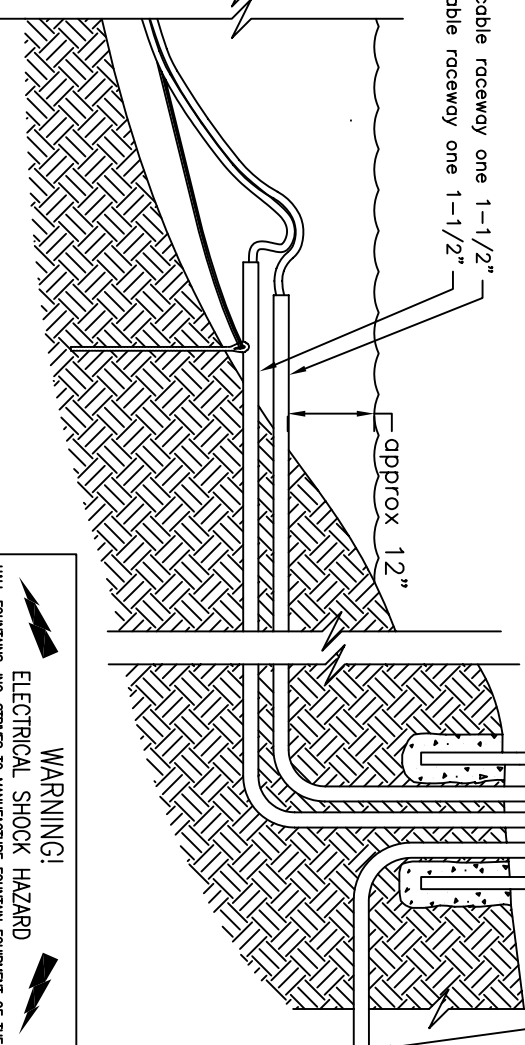
ITEM	QTY	DESCRIPTION
8	1	100' LENGTH OF 10/3 TYPE ST/SO-WA SUBMERSIBLE POWER CABLE - for the fountain lighting power supply. Cable features 600 volt insulation and soft annealed copper. Sized according to the National Electric Code section 70-238. Cable is spliced to lights with a Y-type 3M Scotchcast splice kit.
9	1	100' LENGTH OF 10/3 TYPE ST/SO-WA SUBMERSIBLE POWER CABLE for the submersible pump power supply. Cable features 600 volt insulation and soft annealed copper, and is sized according to National Electric Code section 70-238. Cable is spliced to pump motor leads with a 3M Scotchcast splice kit.
10	3	ANA FOUNTAIN UNIT ANCHOR & STAY ROPE - to secure the fountain unit in the desired location in the lake and provide a convenient means of pulling the unit to the shore for cleaning and servicing. Anchor is made of steel rod with welded eye. Stay rope is 1/4" polypropylene (length to match cables listed above).

Float Assembly - Plan View



Lighting cable raceway one 1-1/2"
Pump cable raceway one 1-1/2"

Single phase pump is 120 volt ONLY

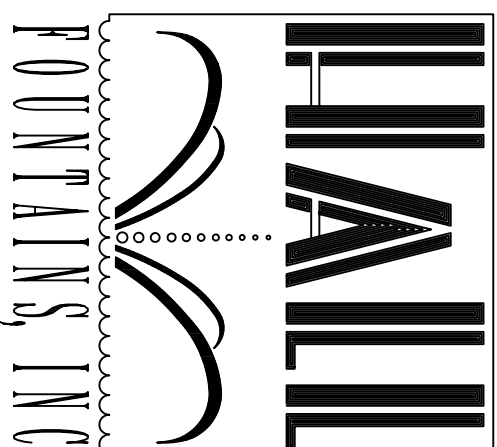


Provide 40 Amp 230V
1Phase 3 wire service
(by others). Conduit and
wire size by electrician.

WARNING!
ELECTRICAL SHOCK HAZARD

HALL FOUNTAINS, INC. STRIVES TO MANUFACTURE FOUNTAIN EQUIPMENT OF THE HIGHEST QUALITY POSSIBLE, BUT IS STILL CONCERNED WITH THE FACT THAT WATER AND ELECTRICITY CAN CONSTITUTE A POTENTIAL ELECTRICAL SHOCK HAZARD. FOUNTAIN ELECTRICAL EQUIPMENT MUST BE INSTALLED AND SERVICED BY QUALIFIED, KNOWLEDGEABLE PEOPLE WITH THE UTMOST OF CARE AND IN STRICT ACCORDANCE WITH ARTICLE 680 OF THE NATIONAL ELECTRICAL CODE AND ANY OVERRIDING STATE AND/OR LOCAL CODES THAT MAY APPLY.

FLOATING FOUNTAINS ARE NOT TO BE USED IN LOCATIONS WHERE SWIMMING OR OTHER WATER SPORTS ARE PERMITTED.



5500 N.W. 22nd Avenue
Ft. Lauderdale, Florida 33309
1-800-777-4255 * 954-484-8530

This drawing is the property of HALL FOUNTAINS, INC. and is to be used only for the installation of equipment purchased from HALL as a unit. This drawing is NOT to be used or reproduced in part or in whole without written permission from HALL.

Equipment to be ordered and any installation to be made from this drawing must be independently verified by the buyer's architect or engineer to determine that the same meets all governmental requirements and is acceptable for its intended application. The only liability assumed by HALL FOUNTAINS, INC. is for the quality of the equipment supplied as set forth in the materials warranty.

Only the items listed under the heading "Equipment by HALL" are to be supplied by HALL FOUNTAINS, INC.

This symbol with a number inside indicates an item that is to be supplied by HALL. Refer to the corresponding item number under the heading "Equipment by HALL."

Model:

M0007-1-3-100

Description:

.75 HP MONTEREY
with 1000 watts
of lighting

Date Drawn:

8/4/99

Section through Lake at Fountain & Shoreline

